

T-Angle connector clamps

Aluminium / Stainless Steel

SPECIFICATION

Identification No.

No. 2: with two Stainless Steel-Clamping screws DIN 912

Version in Aluminium

plastic coated
black, RAL 9005, textured finish **SW**

blank
matt shot-blasted **BL**

Version in Stainless Steel NI

AISI CF-8
matt shot-blasted

Clamping bores mechanically machined

Socket cap screws DIN 912
Stainless Steel AISI 304

Hexagon nuts DIN 985
Stainless Steel AISI 304



INFORMATION

The clamping bores of the T-Angle connector clamps GN 191 are mechanically machined and designed for construction tubes GN 990 (see page 1902) or DIN 2391, DIN 2395 and DIN 2462 respectively.

The standard version of the clamping screw is a socket cap screw with hexagonal socket DIN 912. It can be replaced by a clamping kits GN 911 (see page 1874) / GN 911.3 (see page 1875) (article code see table of dimensions).

ACCESSORY

- Clamping kits GN 911 (see page 1874) / GN 911.3 (see page 1875)

ON REQUEST

- d₁ / d₂ with different bores

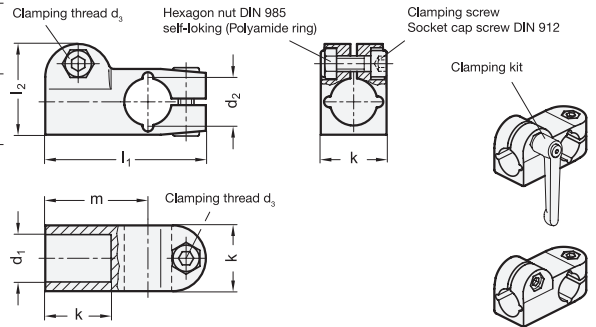
TECHNICAL INFORMATION

- Stainless Steel characteristics (see page A26)

* Complete with colour index of the T-angle connector clamps (SW or BL)

SW
RAL9005

BL
blank



GN 191

Description	d1	d2	d3	k	l1	l2	m	Clamping kits for d3	⚖️
GN 191-B10-B10-2-*	B 10	B 10	M 6	25	61	34.5	39	GN 911-M6-22	97
GN 191-B12-B12-2-*	B 12	B 12	M 6	25	61	34.5	39	GN 911-M6-22	93
GN 191-B14-B14-2-*	B 14	B 14	M 6	25	61	34.5	39	GN 911-M6-22	86
GN 191-B15-B15-2-*	B 15	B 15	M 6	25	61	34.5	39	GN 911-M6-22	86
GN 191-B16-B16-2-*	B 16	B 16	M 6	25	61	34.5	39	GN 911-M6-22	84
GN 191-B18-B18-2-*	B 18	B 18	M 6	25	61	34.5	39	GN 911-M6-22	84

Weight BL

GN 191-NI

STAINLESS STEEL

Description	d1	d2	d3	k	l1	l2	m	Clamping kits for d3	⚖️
GN 191-B12-B12-2-NI	B 12	B 12	M 6	25	61	34.5	39	GN 911.3-M6-22	240
GN 191-B14-B14-2-NI	B 14	B 14	M 6	25	61	34.5	39	GN 911.3-M6-22	220
GN 191-B15-B15-2-NI	B 15	B 15	M 6	25	61	34.5	39	GN 911.3-M6-22	210
GN 191-B16-B16-2-NI	B 16	B 16	M 6	25	61	34.5	39	GN 911.3-M6-22	200
GN 191-B18-B18-2-NI	B 18	B 18	M 6	25	61	34.5	39	GN 911.3-M6-22	175
GN 191-B20-B20-2-NI	B 20	B 20	M 6	25	61	34.5	39	GN 911.3-M6-22	171